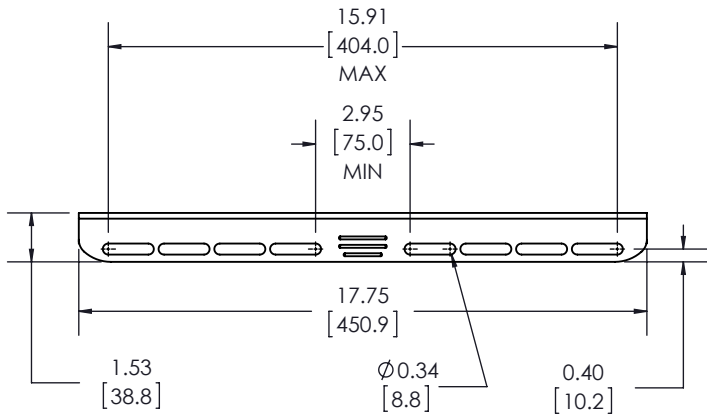


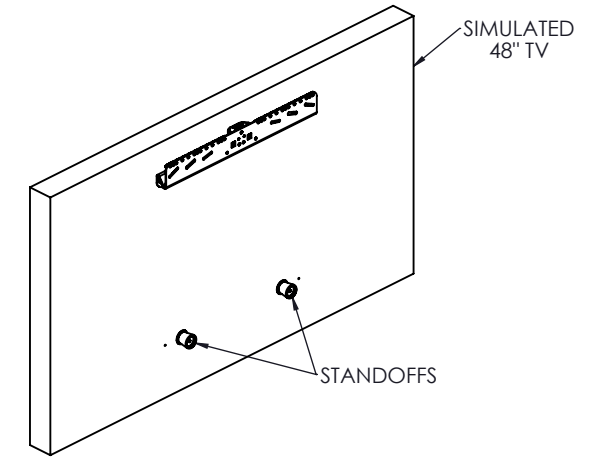
### TV INTERFACE



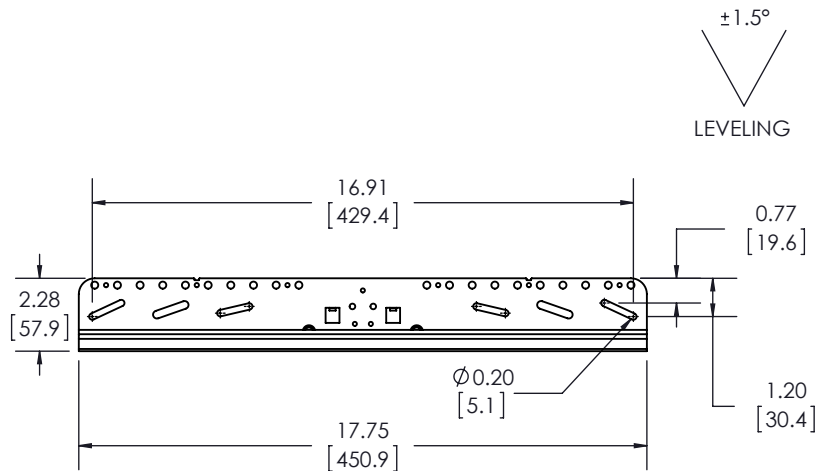
## SIMPLYSAFE ALL WALLS TV MOUNT 6805-002253

THE INFORMATION AND DESIGNS CONTAINED IN THIS DRAWING ARE CONFIDENTIAL AND THE PROPRIETARY PROPERTY OF MILESTONE AV TECHNOLOGIES NEITHER THIS DESIGN NOR ANY INFORMATION CONTAINED IN THIS DRAWING MAY BE REPRODUCED OR DISCLOSED TO OTHERS WITHOUT THE EXPRESS WRITTEN CONSENT OF MILESTONE AV TECHNOLOGIES. 本图纸所包含的信息和设计均系Milestone机密和知识产权，本图纸包含的设计和信息的在未经Milestone允许情况下均不得复制或泄露

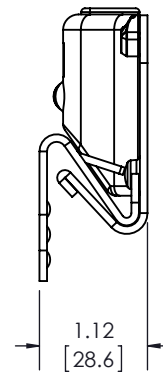
### 3-D - BACK VIEW



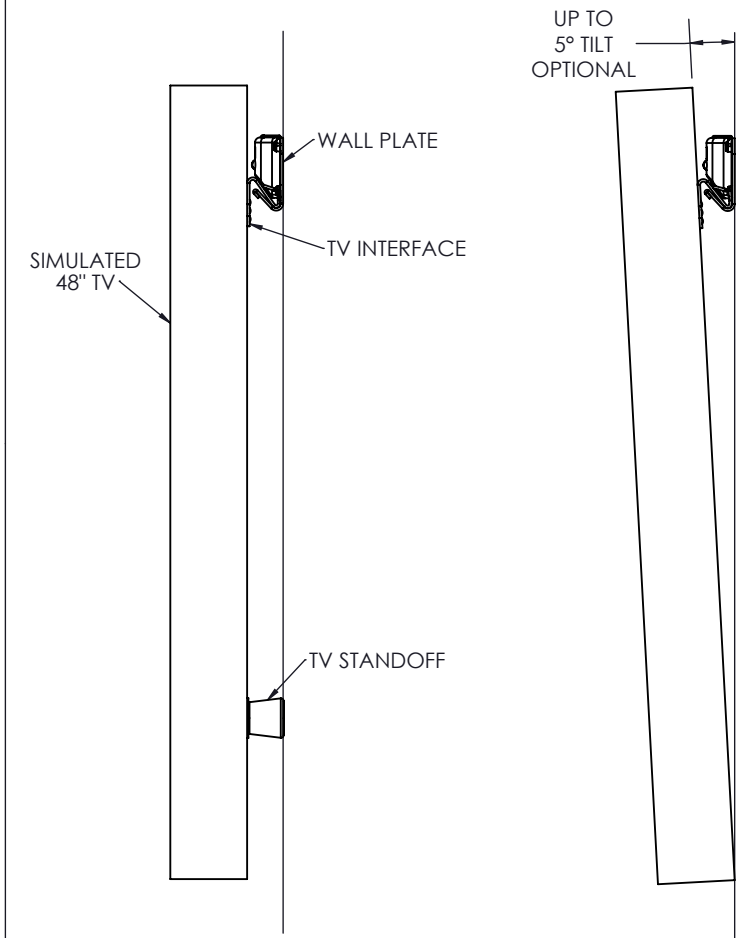
### WALL PLATE



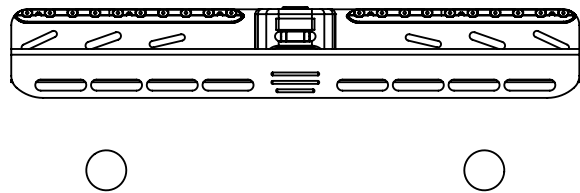
### SIDE VIEW - DEPTH



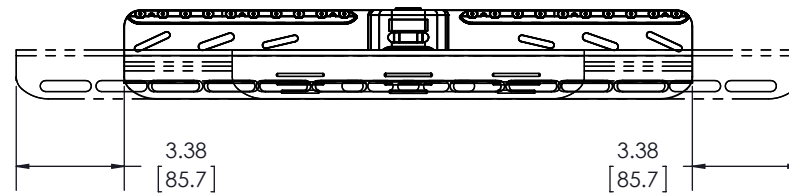
### SIDE VIEW WITH TV



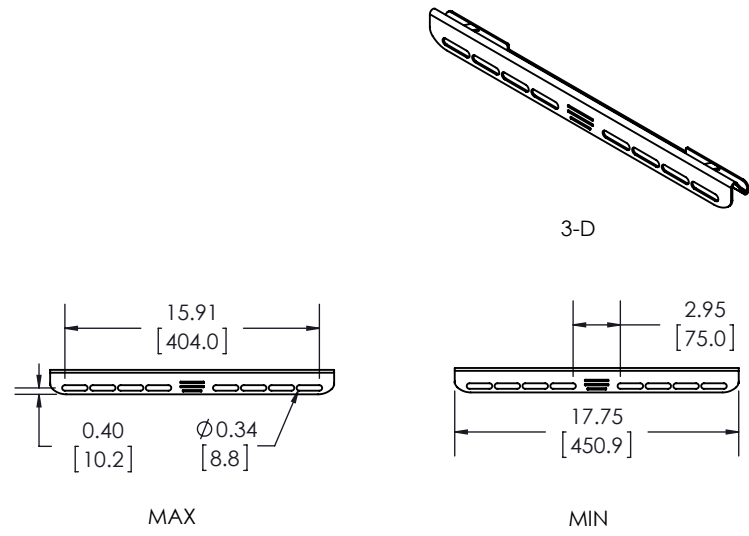
### FULLY ASSEMBLED MOUNT



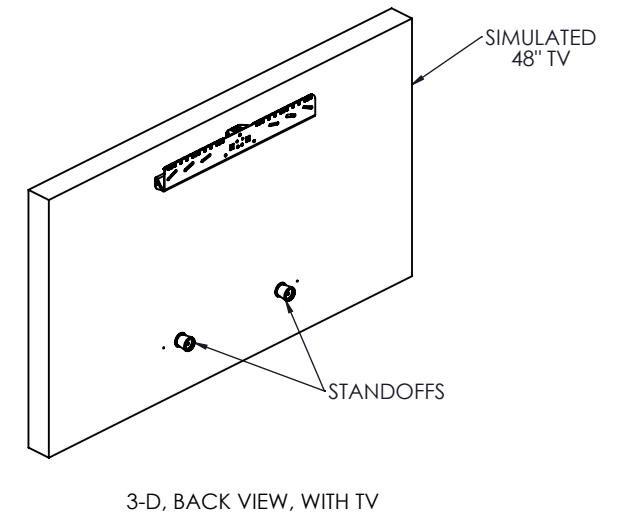
### LATERAL SHIFT



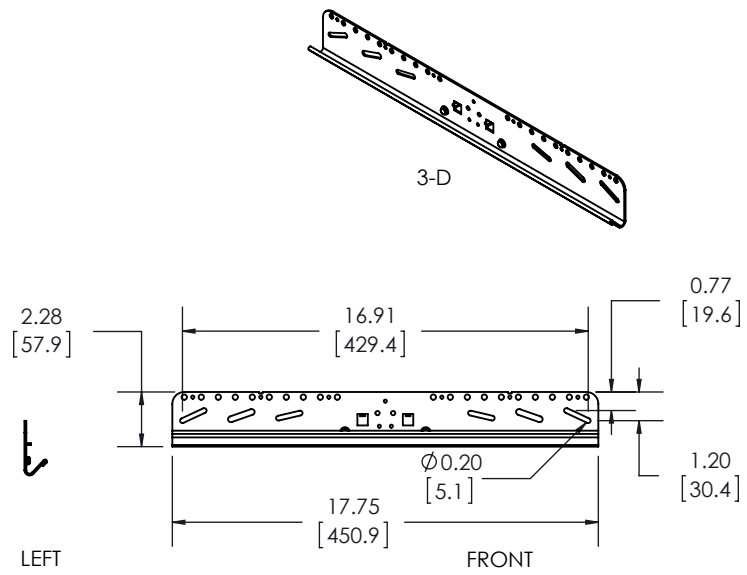
## TV INTERFACE



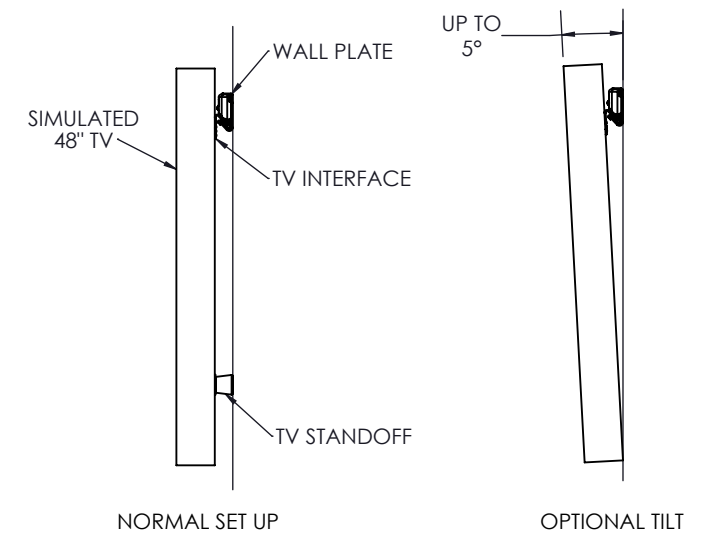
## 3-D



## WALL PLATE

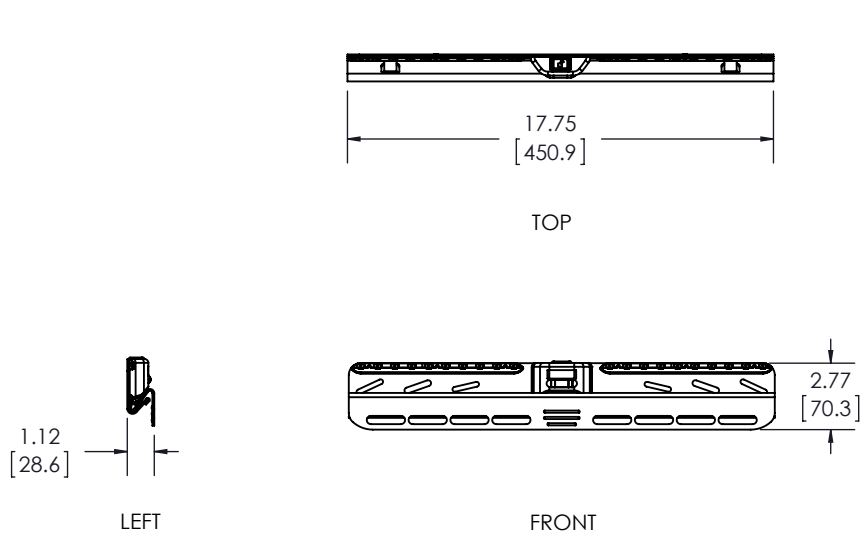


## TILT



NOT FOR WEB USE!!

## FRONT VIEW - OVERALL DIMENSIONS



## 3-D EXPLODED IN-BOX

